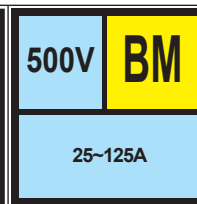
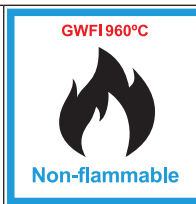
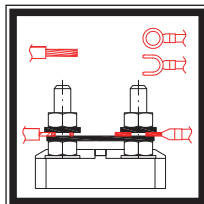


# Terminal blocks in ceramic for 3 phases asynchronous electrical motors, 500V range



Brass or zinc plated steel terminals



Allows the connection and switching of three-phase star-delta or two separate winding motors, especially for motors with a high operating temperature, particularly in fumes and heat extracting fans. These terminal blocks are also used for the star delta switching of three-phase heaters.

## Main features

**Material:** Steatite C221

**Voltage:** 500V

**Terminals and screws:** zinc-plated steel or brass

**Shunts:** Brass

**Insulation distances:** > 3mm on backside

**Walls of terminal dividers:** height 4mm, thickness 5mm

**Temperature resistance:** 240°C (460°F) continuous, 400°C (750°F) 2 hours peak).

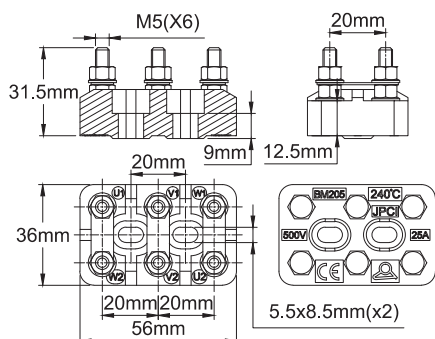
**Marking:** U1, V1, W1 and U2, V2, W2 (according to IEC 60034-8)

**Recommended tightening torques for nuts:**

M5: 2.5N.m; M6: 3.5N.m; M8: 7N.m

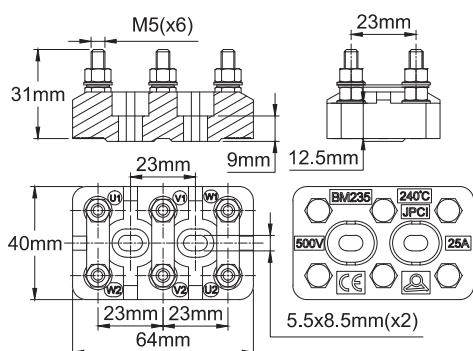
**Applicable Standards:** IEC 60034-8 and NFC 51-120

Because of permanent improvement of our products, drawings, descriptions, features used on these data sheets are for guidance only and can be modified without prior advice



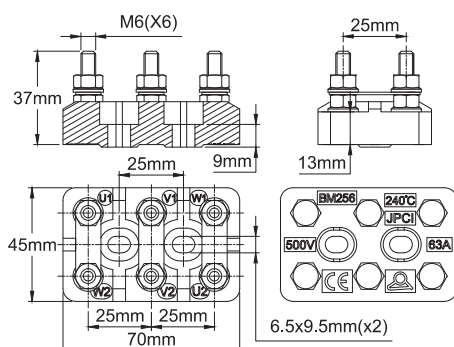
25A 500V model (terminal spacing 20mm, M5 screws)

	With jumper	Without jumpers
With brass terminals	BM205B0	BM205BS
With zinc plated steel terminals	BM205S0	BM205SS
Ceramic part only	-	BM205



25A 500V model (terminal spacing 23mm, M5 screws)

	With jumper	Without jumpers
With brass terminals	BM235B0	BM235BS
With zinc plated steel terminals	BM235S0	BM235SS
Ceramic part only	-	BM235



63A 500V model (terminal spacing 25mm, M6 screws)

	With jumper	Without jumpers
With brass terminals	BM256B0	BM256BS
With zinc plated steel terminals	BM256S0	BM256SS
Ceramic part only	-	BM256



# Terminal blocks in ceramic for 3 phases asynchronous electrical motors, 500V range

**63A 500V model (terminal spacing 28mm, M6 screws)**

	With jumper	Without jumpers
With brass terminals	BM256B0	BM256BS
With zinc plated steel terminals	BM286S0	BM286SS
Ceramic part only	-	BM286

**125A 500V model (terminal spacing 35mm, M8 screws)**

	With jumper	Without jumpers
With brass terminals	BM256B0	BM256BS
With zinc plated steel terminals	BM358S0	BM358SS
Ceramic part only	-	BM358

**Brass jumpers for motor terminal blocks**

Hole distances	Thickness	Max. Rating	References
18~22mm	0.8mm	25A	66AJB52220
21~25mm	0.8mm	25A	66AJB52223
23~27mm	1mm	63A	66AJB62225
26~30mm	1mm	63A	66AJB62228
33~37mm	1.5mm	125A	66AJB82235

Because of permanent improvement of our products, drawings, descriptions, features used on these data sheets are for guidance only and can be modified without prior advice



Page (.pdf)



Drawing 2D  
(.dwg)



Drawing 3D  
(.stp)

Excerpt from catalogue 10-2

